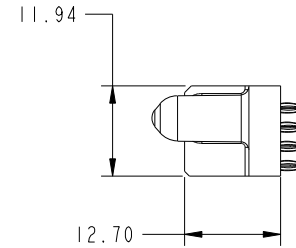
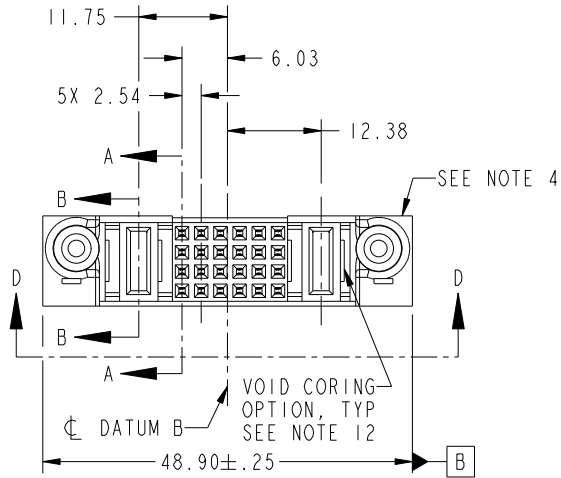


Tous droits strictement reserves. Reproduction ou communication a des tiers interdite sous quelque forme que ce soit sans autorisation ecrite du proprietaire. Propriete de c FCI. Droits de reproduction FCI.

All rights strictly reserved. Reproduction or issue to third parties in any form whatever is not permitted without written authority from the proprietor. Property of FCI. Copyright FCI.



PRODUCT NO.	ROWS	POWER		SIGNAL					POWER		
		E2	P2	6	5	4	3	2	1	P1	E1
51940-035-- NOTE: 3	D C B A			F	F	F	F	F	F		



CODE	DIM "M" MATING LENGTH	CONTACT TYPE
F	[N/A]	SIGNAL
PC	[1.07]	POWER
PF	[2.34]	POWER

mat'l code				SEE NOTE		tolerances unless otherwise specified		CUSTOMER		 www.fciconnect.com	
lir	ecn no.	dr	date	linear	0.X ± 0.5	COPY		projection		title	
A	V03-0338	TAB	03/21/03		0.XX ± 0.25	MM				IP + 24S + IP VERT PRESS-FIT RECEPTACLE	
B	DG05-0181	SJ	06/21/05	angles	0.XXX ± 0.10	scale		product family		code	
C	DG07-0498	JW	09/15/08		0° ± 2°	1:1		PwrBlade		213	
				dr	T. BRUNGARD 03/21/03			size		sheet	
				engr	M. MOSTOLLER 03/21/03			dwg no		1 of 4	
				chr	M. MOSTOLLER 03/21/03			A		51940-035	
				appd	M. MOSTOLLER 03/21/03						
sheet index	revision sheet	C	C	C	C	C	C				
		1	2	3	4						

A

A

B

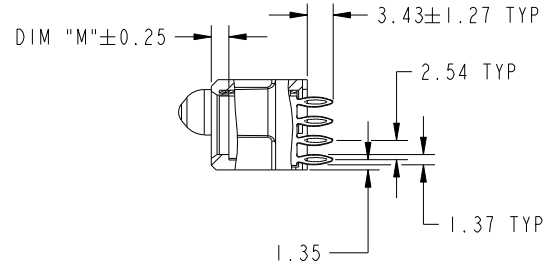
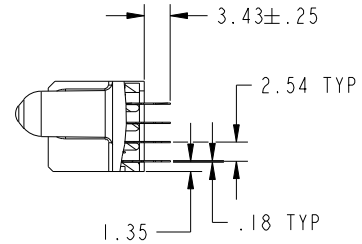
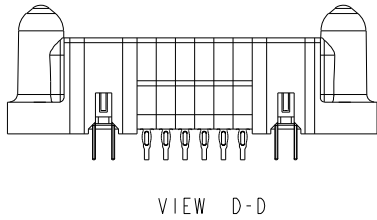
B

Tous droits strictement reserves. Reproduction ou communication a des tiers interdite sous quelque forme que ce soit sans autorisation ecrite du proprietaire. Propriete de c FCI. Droits de reproduction FCI.



All rights strictly reserved. Reproduction or issue to third parties in any form whatever is not permitted without written authority from the proprietor. Property of FCI. Copyright FCI.

PRODUCT NUMBER  
51940-035--  
NOTE: 3



mat'l code		SEE NOTE		tolerances unless otherwise specified		CUSTOMER		 www.fciconnect.com	
lir	ecn no.	dr	date	linear	0.X ± 0.5	COPY		title	
C				linear	0.XX ± 0.25	projection		IP + 24S + IP	
				linear	0.XXX ± 0.10			VERT PRESS-FIT RECEPTACLE	
				angles	0° ± 2°			product family	
				dr	T. BRUNGARD 03/21/03	MM		PwrBlade	
				engr	M. MOSTOLLER 03/21/03			code	
				chr	M. MOSTOLLER 03/21/03	scale		size	
				appd	M. MOSTOLLER 03/21/03	1:1		dwg no	
sheet index		revision sheet						A 51940-035	
								213	
								sheet	
								2	

cage code 2256

Pro/E

PDM: Rev: C

STATUS: Released

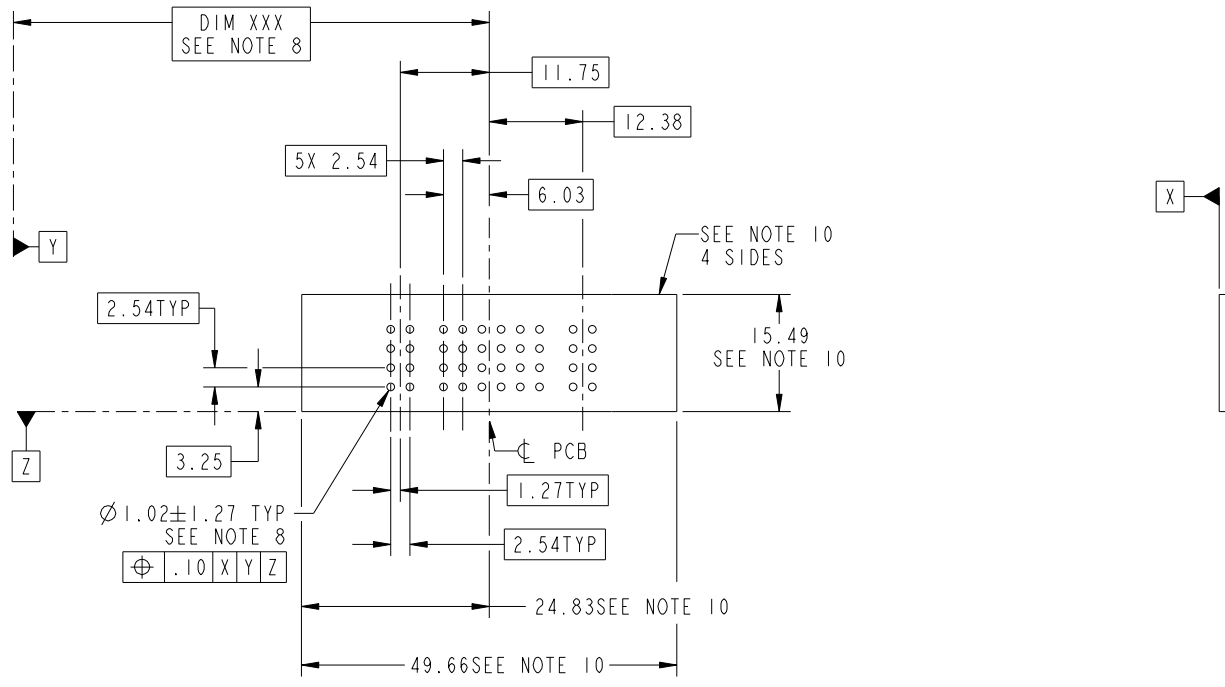
Printed: Sep 26, 2008

Tous droits strictement reserves. Reproduction ou communication a des tiers interdite sous quelque forme que ce soit sans autorisation ecrite du proprietaire. Propriete de c.FCI. Droits de reproduction FCI.

All rights strictly reserved. Reproduction or issue to third parties in any form whatever is not permitted without written authority from the proprietor. Property of FCI. Copyright FCI.



PRODUCT NUMBER  
51940-035--  
NOTE: 3



mat'l code		SEE NOTE		tolerances unless otherwise specified		CUSTOMER		www.fciconnect.com	
lfr	ecn no.	dr	date	linear	0.X $\pm 0.5$	COPY		title	
C				linear	0.XX $\pm 0.25$	projection		IP + 24S + IP VERT PRESS-FIT RECEPTACLE	
				angles	0.XXX $\pm 0.10$			product family	
				dr	0° $\pm 2^\circ$	MM		PwrBlade	
				enrg	T. BRUNGARD 03/21/03	scale		code	
				chr	M. MOSTOLLER 03/21/03	1:1		213	
				appd	M. MOSTOLLER 03/21/03	A		sheet	
sheet index	revision sheet					size		3	
						dwg no		51940-035	

cage code 2856

Pro/E

PDM: Rev: C

STATUS: Released

Printed: Sep 26, 2008

Tous droits strictement réservés. Reproduction ou communication a des tiers interdite sous quelque forme que ce soit sans autorisation écrite du propriétaire. Propriété de c.FCI. Droits de reproduction FCI.

All rights strictly reserved. Reproduction or issue to third parties in any form whatever is not permitted without written authority from the proprietor. Property of FCI. Copyright FCI.



1 | 2

3 |

4

PRODUCT NUMBER
51940-035-- NOTE: 3

NOTES:

1. DIMENSIONS AND TOLERANCES ARE IN ACCORDANCE WITH ASME Y14.5M, UNLESS OTHERWISE SPECIFIED.

CONNECTOR NOTES

- ② HOUSING MATERIAL: UL 94 V-0 GLASS FILLED HIGH TEMP THERMOPLASTIC  
POWER CONTACT MATERIAL: COPPER ALLOY  
SIGNAL CONTACT MATERIAL: COPPER ALLOY
- ③ PLATING:  
△ SEE ITEM 7 & 8 IN PRINT 10064183 FOR PLATING SPEC OF 51940-035; 51940-035LF RESPECTIVELY.
- ④ "MANUFACTURER" NAME, P/N, AND DATE CODE TO APPEAR ON THIS SURFACE
- ⑤ PRODUCT SPECIFICATION GS-12-149

PCB NOTES:

- ⑥ ALL HOLE DIAMETERS ARE FINISHED HOLE SIZE
- 7. MOUNTING HOLES, WHERE APPLICABLE, ARE UNPLATED.
- 8.  $\varnothing 1.151 \pm 0.025$  DRILLED HOLES PLATED WITH 0.008 MIN SnPb OR Sn OVER 0.03 TO 0.08 Cu PLATING TO ACHIEVE  $\varnothing 1.02 \pm .07$  HOLE.
- 9. "DIM "XXX" TO BE DETERMINED BY THE CUSTOMER.
- 10. CONNECTOR KEEP-OUT ZONE.
- 11. A△SYMBOL WILL BE NEXT TO ANY DIMENSION, VIEW, OR NOTE WHICH HAS BEEN MODIFIED WITH THE CURRENT DRAWING REVISION.
- 12. THE VOID CORING IN BETWEEN POWER MODULES, SIGNAL MODULES AND END MODULES ARE OPTIONAL AND THE SHAPE MAY BE DIFFERENT FOR OPTIMIZING THE MOLDING PROCESS. THE VOID CORING WILL NOT EFFECT TO PRODUCT FUNCTION.

mat'l code		SEE NOTE		tolerances unless otherwise specified		CUSTOMER		 www.fciconnect.com	
lir	ecn no.	dr	date	linear	0.X ±0.5		COPY		title IP + 24S + IP VERT PRESS-FIT RECEPTACLE
C					0.XX ±0.25		projection		
					0.XXX ±0.10				
				angles	0° ±2°				product family PwrBlade code 213 sheet 4
				dr	T. BRUNGARD	03/21/03	MM		
				enrg	M. MOSTOLLER	03/21/03			
				chr	M. MOSTOLLER	03/21/03	scale		size A 51940-035
				appd	M. MOSTOLLER	03/21/03	1:1		
sheet index	revision sheet								

1 | 2

Pro/E

PDM: Rev: C

STATUS: Released

Printed: Sep 26, 2008

A

A

B

B

cage code 22526

4